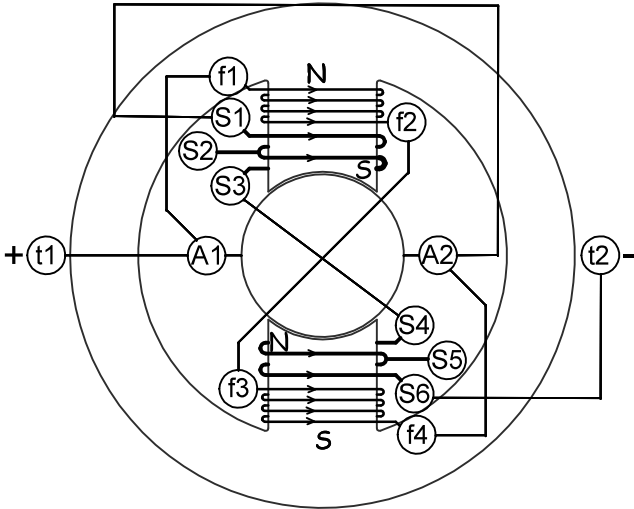
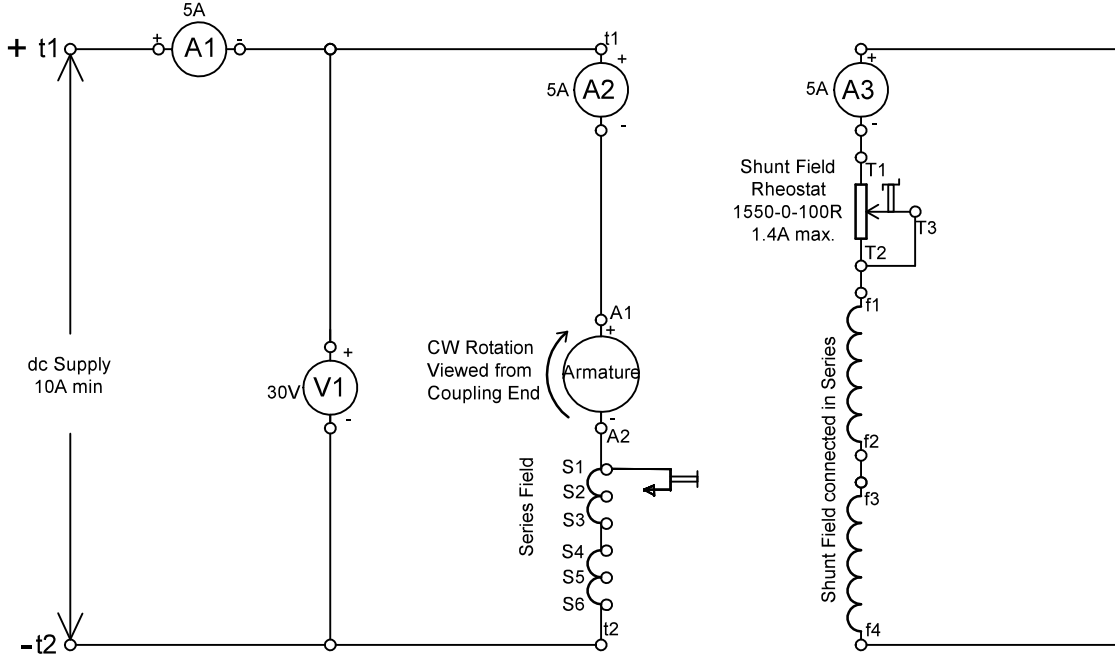


Digram 11



Rotation CW  
Viewed from  
Coupling End

Digram 12



Circuit Diagram  
Showing connections for  
demonstrating the  
variation in RPM  
for change in field flux

**ELECTRIC MOTOR**

**EDUCATION**

eme (Aust) Pty Ltd

---

DC Compound Motor  
Seperately Excited

---

51 Ferndale Road REVESBY 2212

---

Drawn By : *TRFolder*
Date : 04/02/2021
Scale: NTS
210204-Z
A1