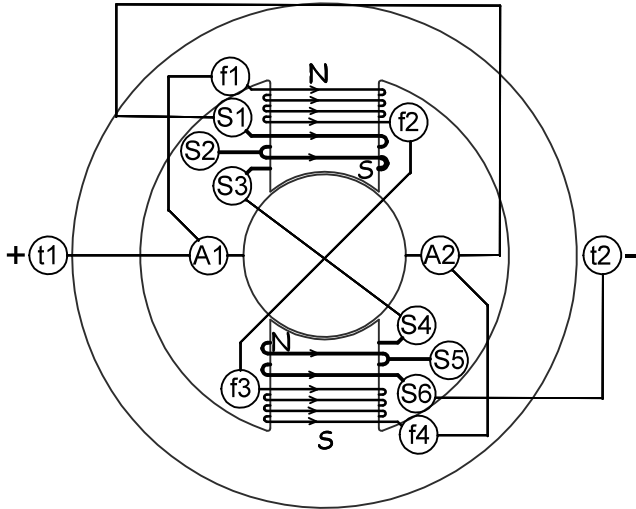


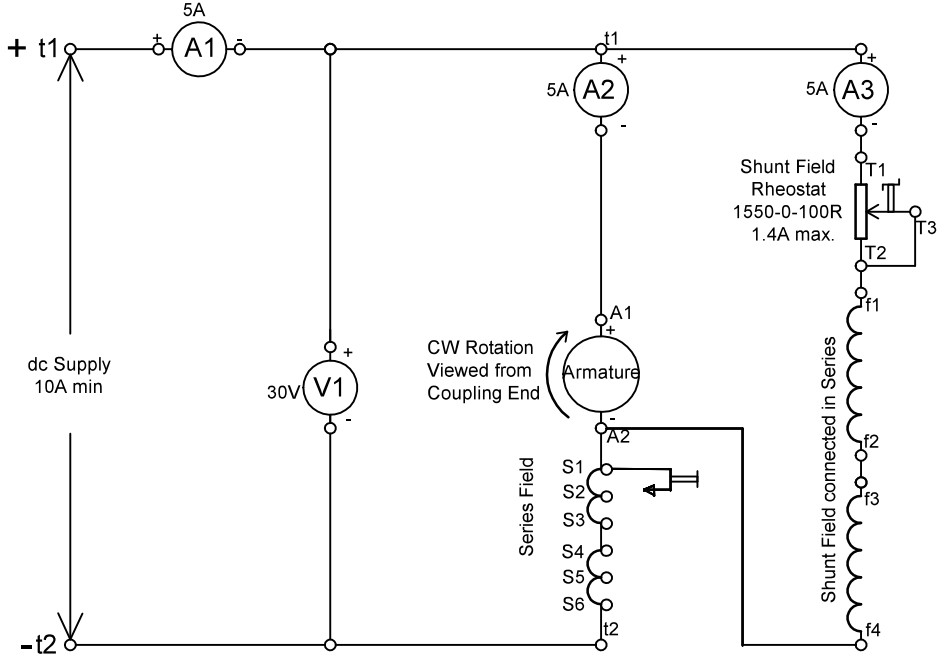
Digram 9



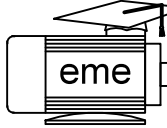
Motor
Shunt field connection

Rotation CW
Viewed from
Coupling End

Digram 10



Circuit Diagram
Showing connections for
demonstrating the
variation in RPM
for change in field flux

	ELECTRIC MOTOR EDUCATION eme (Aust) Pty Ltd	
	DC Compound Motor (Cumulative Short Shunt) Self Excited	
51 Ferndale Road REVESBY 2212		
Drawn By : <i>TRF</i> Date : 04/02/2021	Scale: NTS	210204-Y A1