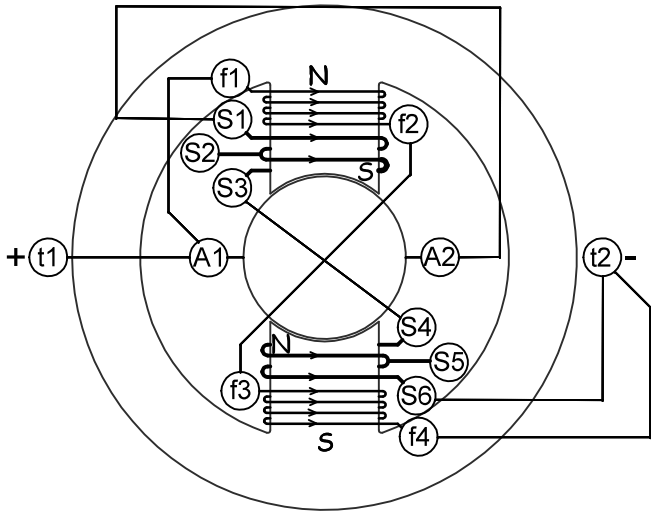
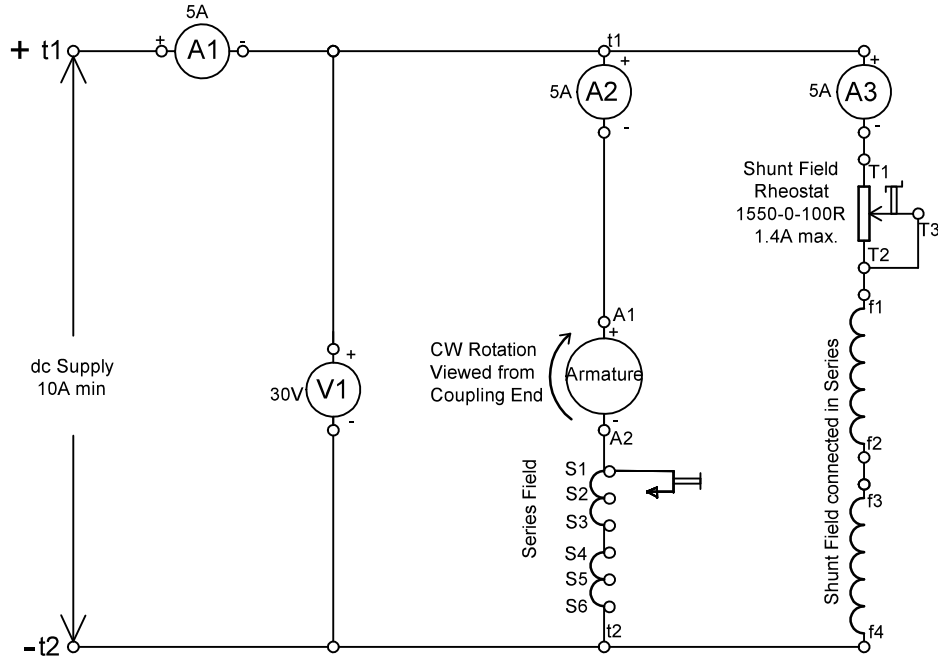


Digram 7

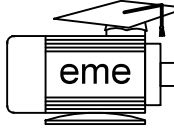


Rotation CW  
Viewed from  
Coupling End

Digram 8



Circuit Diagram  
Showing conections for  
demonstrating the  
variation in RPM  
for change in field flux

	<b>ELECTRIC MOTOR</b> <b>EDUCATION</b> <small>eme (Aust) Pty Ltd</small>	
	DC Compound Motor (Cumulative Long Shunt) Self Excited	
51 Ferndale Road REVESBY 2212		
<small>Drawn By : R.Falder</small> <small>Date : 04/02/2021</small>	Scale: NTS	210204-X   A1