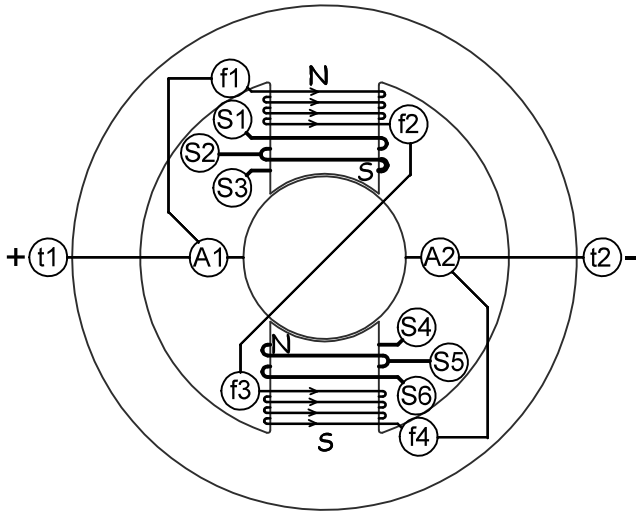


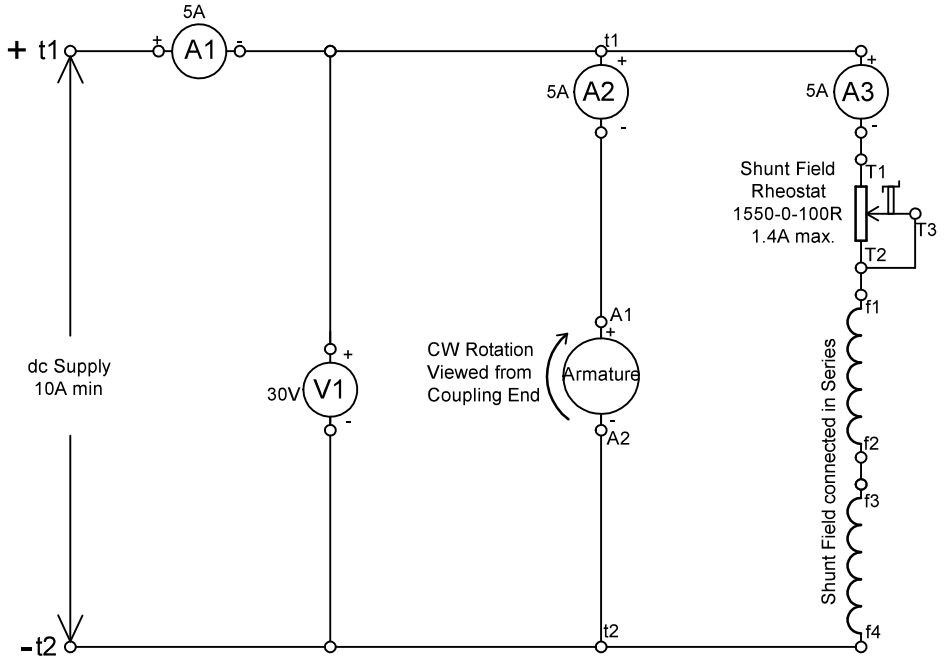
Digram 3



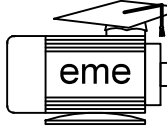
Motor
Shunt field connection

Rotation CW
Viewed from
Coupling End

Digram 4



Circuit Diagram
Showing connections for
demonstrating the
variation in RPM
for change in shunt field flux

	ELECTRIC MOTOR EDUCATION <small>eme (Aust) Pty Ltd</small>	
	DC Shunt Motor Connections - Practical Self Excited	
51 Ferndale Road REVESBY 2212		
<small>Drawn By : R.Falder</small> <small>Date : 04/02/2021</small>	Scale: NTS	210204-V A1