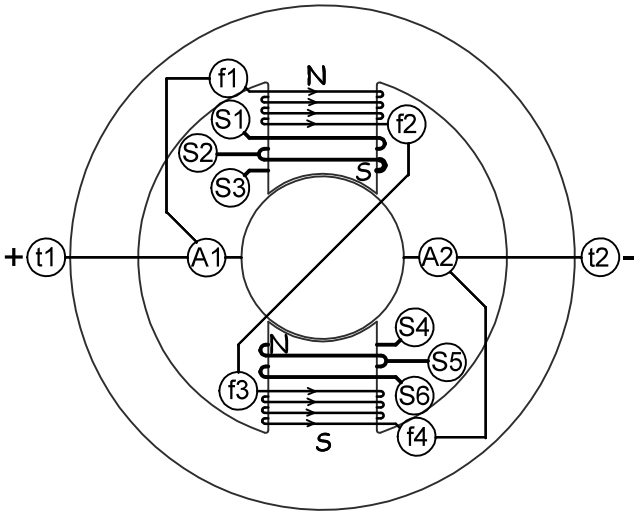
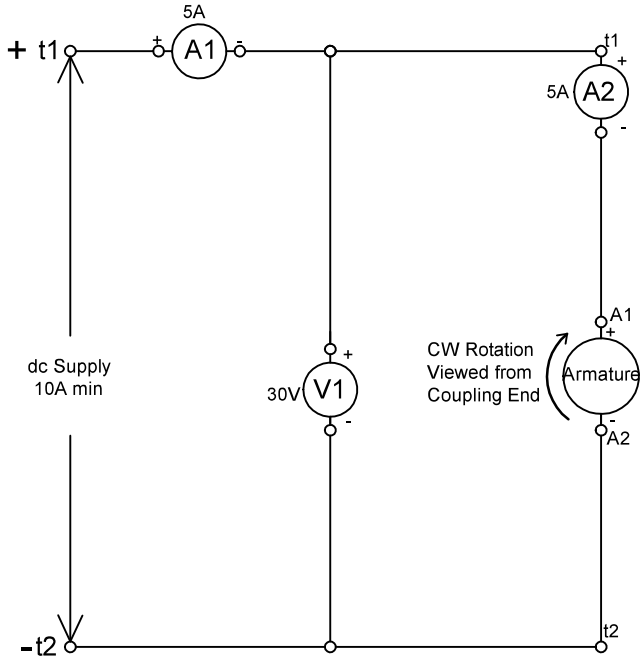


Digram 1

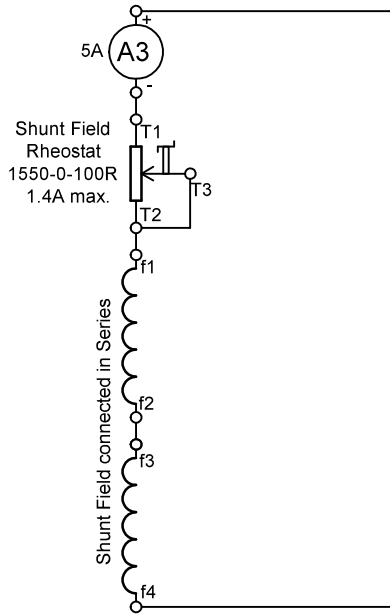


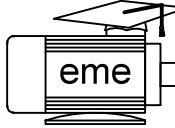
Rotation CW  
Viewed from  
Coupling End

Digram 2



Circuit Diagram  
Showing connections for  
demonstrating the  
variation in RPM  
for change in shunt field flux



	<b>ELECTRIC MOTOR</b> <b>EDUCATION</b> <small>eme (Aust) Pty Ltd</small>	
	DC Shunt Motor Connections - Practical Separately Excited	
51 Ferndale Road REVESBY 2212		
<small>Drawn By : <i>TRF</i></small> <small>Date : 04/02/2021</small>	Scale: NTS	210204-U   A1