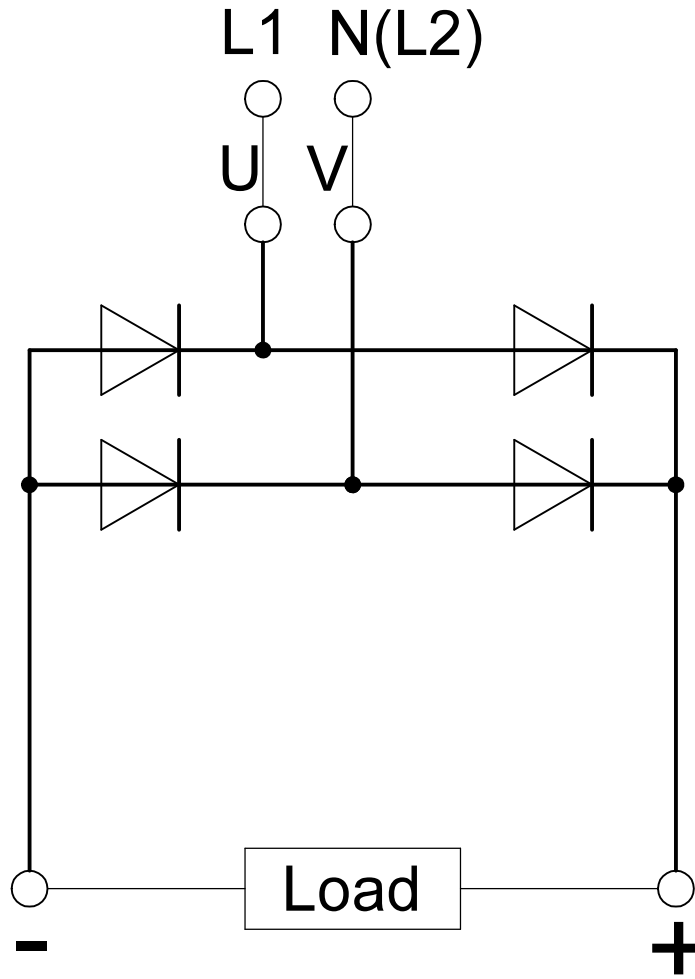
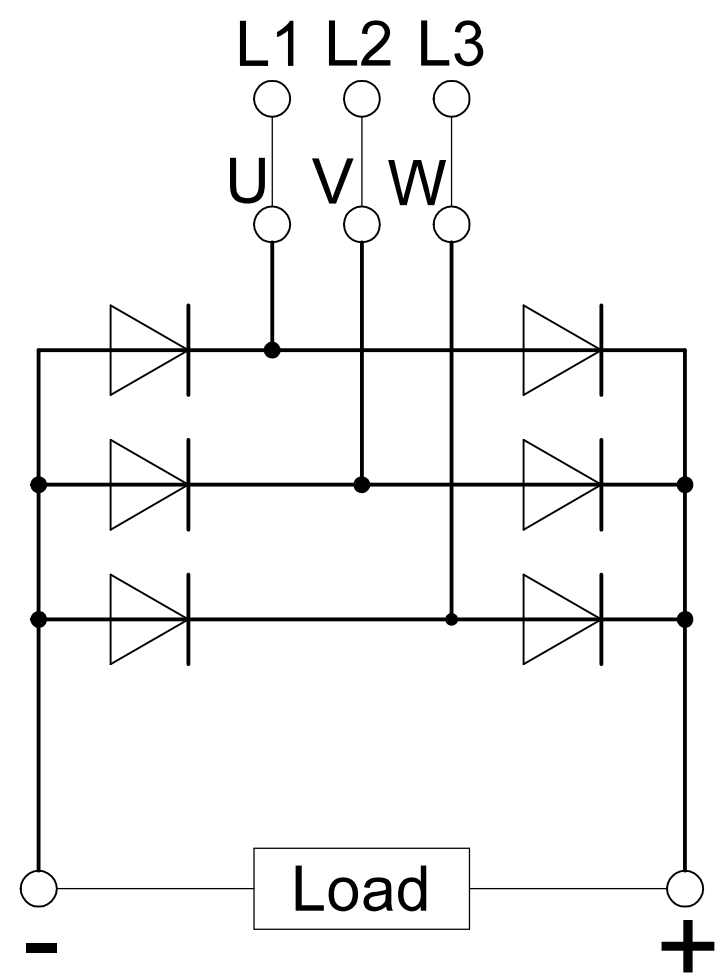


single Phase
 $\frac{1}{2}$ Wave

3 Phase
 $\frac{1}{2}$ Wave



Single phase
Full Wave



3 phase
Full Wave