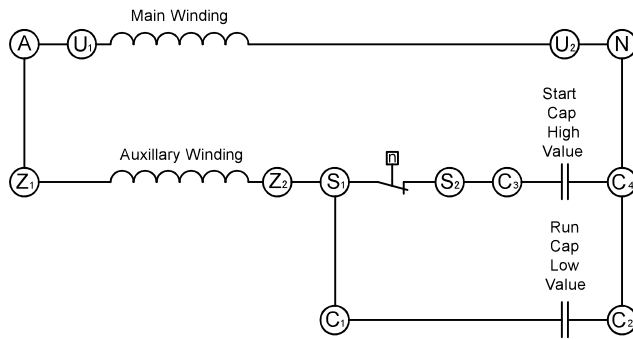


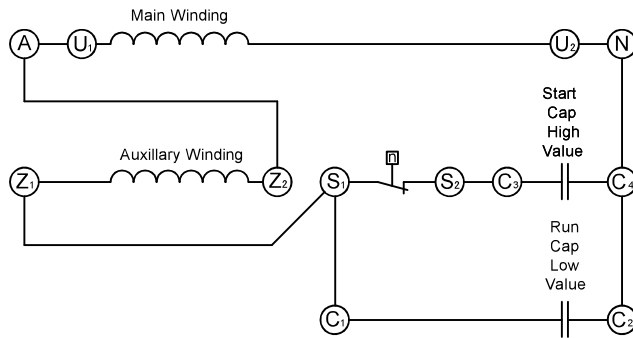
Capacitor Start, Capacitor Run Motor
Also commonly called a
2 or Dual Capacitor Motor

Connections for ACW rotation
viewed from the shaft end



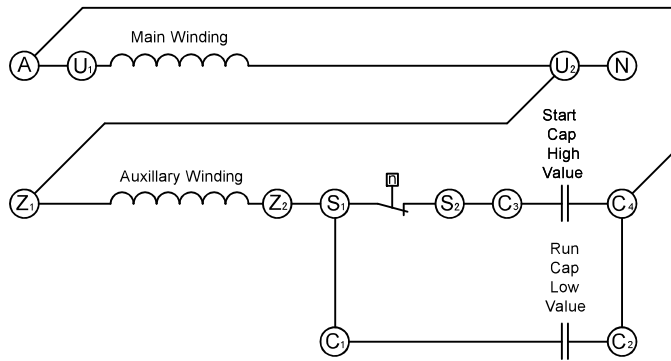
Connections for CW rotation
viewed from the shaft end

Auxillary Winding reversed



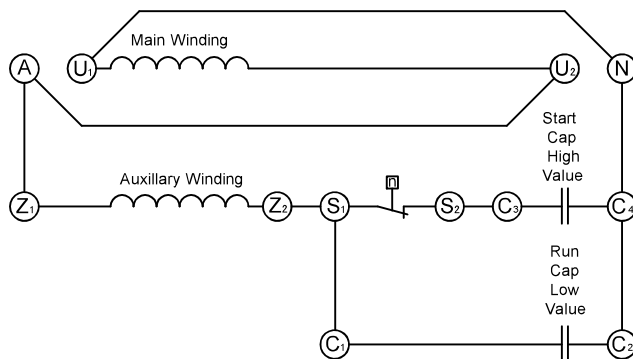
Connections for CW rotation
viewed from the shaft end

Whole Auxillary 'Series Circuit' reversed

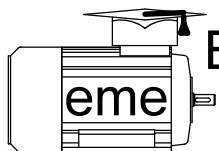


Connections for CW rotation
viewed from the shaft end

Main Winding Reversed



A: 20180422
Issue



**ELECTRIC MOTOR
EDUCATION**

eme (Aust) Pty Ltd

**Connection Diagrams
Single Phase Capacitor Motor
Cap Start, Cap Run**

Drawn By : *IRHolder*
Date : 20/04/2018

Scale : 1:1

180420-1

A4