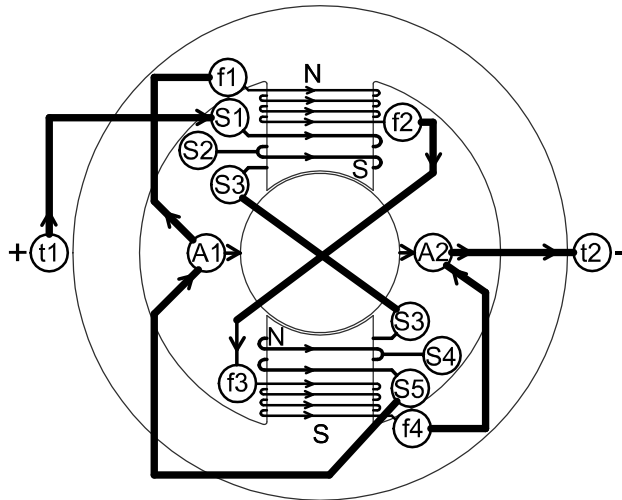


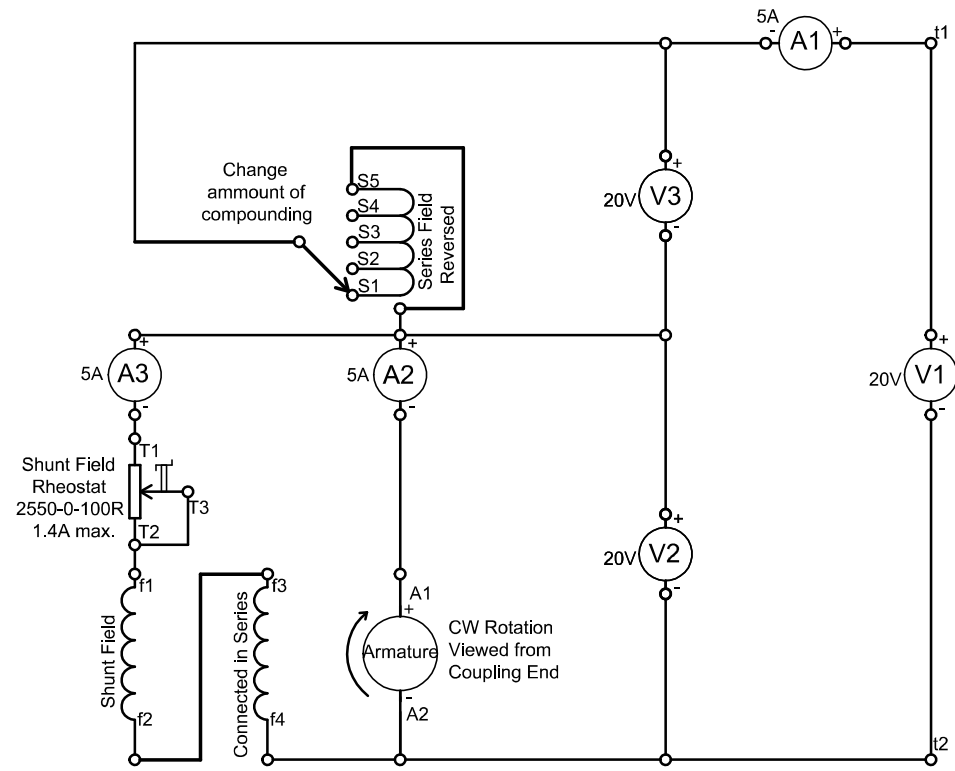
Digram 3



Motor
Cumulative, Short Shunt, Compound
i.e. Current enters at terminal t1
Note: for same direction of rotation as generator
Series Field current is reversed to
aid shunt field flux

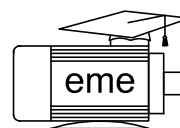
**Rotation CW
Viewed from
Coupling End**

Digram 4



Circuit Diagram
Showing connections for
demonstrating the
variation in torque
for change in compounding of a
Cumulative - Short Shunt - Compound Motor

Adjust Series Field connection
to vary the degree of compounding



**ELECTRIC MOTOR
EDUCATION**
eme (Aust) Pty Ltd

DC Compound Motor
Connections - Practical

51 Ferndale Road REVESBY 2212

Drawn By : *TKholder*
Date : 18/11/2013

131118-2

A1