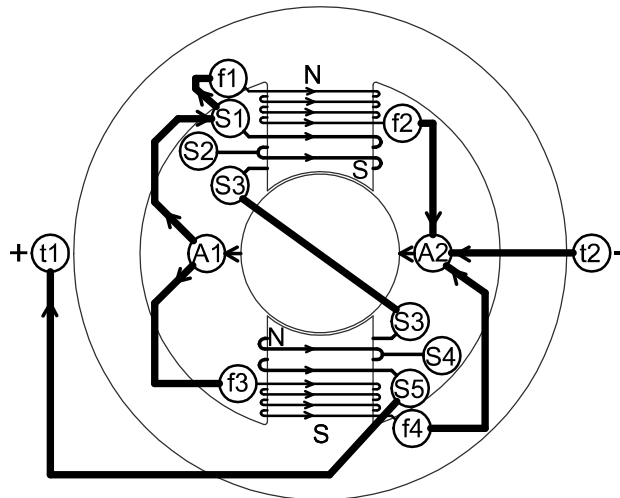


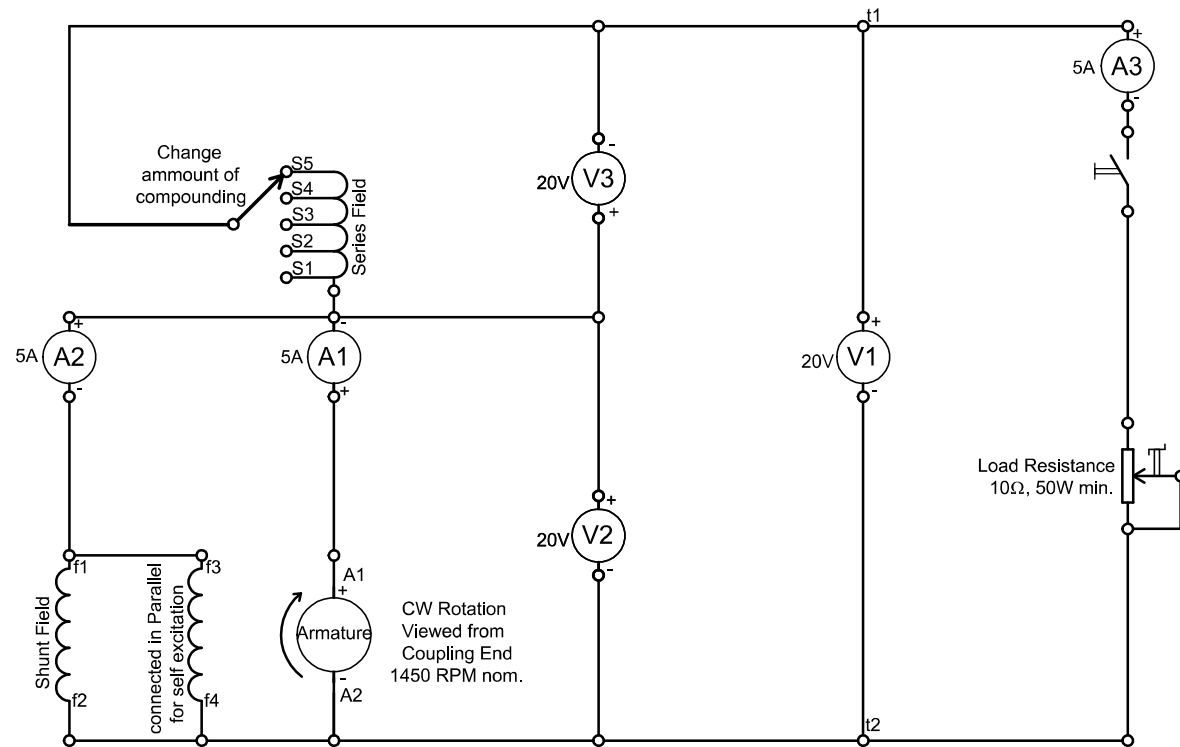
Digram 1



Generator
Cumulative, Short Shunt, Compound
i.e. Current leaves the armature at terminal A1
Note: Series Field current aids residual flux
Field will build up and generate

**Rotation CW
Viewed from
Coupling End**

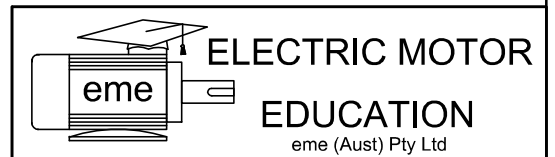
Digram 2



Circuit Diagram

Showing connections for demonstrating the variation in generated voltage (E_g) for change in compounding of a Cumulative - Short Shunt - Compound Generator

Adjust Series Field connection to vary the degree of compounding



DC Compound Generator
Connections - Practical

51 Ferndale Road REVESBY 2212

Drawn By : *TJHolder*
Date : 18/11/2013

131118-1

A1